
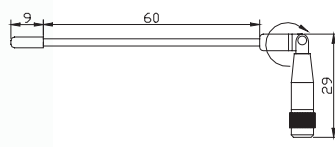



ACCESSORIES

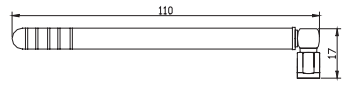

● Antenna :




Model:ANT-(09,12,24)S
Function:
1.Antenna for 2400MHz
2.Antenna for 1200MHz
3.Antenna for 900MHz

Model:ANT-2400LB
Function:
1.Antenna for 2400MHz
2.Antenna for 1200MHz
3.Antenna for 900MHz

Model:ANT-(09,12,24)HI
Function:
1.Antenna for 2400MHz(HI-GAIN)
2.Antenna for 1200MHz(HI-GAIN)
3.Antenna for 900MHz(HI-GAIN)



● Li Battery :



MODEL:BT-1500
Nominal:Capacity 1500mAH



MODEL:BT-2000
Nominal:Capacity 2000mAH



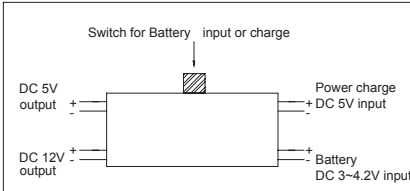


MODEL:PP-500
Nominal:Capacity 2000mAH
*Rechargeable battery & Charge board



● Charge Board :

Model:BC-100

Switch for Battery input or charge

DC 5V output + -

DC 12V output + -

Power charge DC 5V input + -

Battery DC 3-4.2V input + -

NOTE:
Switch to life (A MODE)for 3.7V up to DC 12V & 5V from battery, or stand by status (open load).
Switch to right (B MODE) for battery charge for DC 5V input.


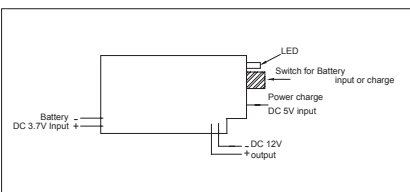
LED ON red lighting for power charge
LED ON green lighting for battery full indicate

Idea for Li-battery 3.7V up to DC 12V & 5V for security divece application.

Specification:

	Voltage	stand by current (OPEN LOAD.)	Output current	Power charge current
Power Charge (Adaptor)	DC 5V INPUT	/	/	750mA(max.) (B MODE)
Li-Battery	DC 3.7V INPUT	20mA (A MODE)	450mA for DC 5V (Single output) 450mA for DC 12V (Single output)	/ (A MODE)

Model:BC-200

LED

Switch for Battery input or charge

Power charge DC 5V input + -

Battery DC 3.7V Input + -

DC 12V output + -

NOTE:
Switch to life for 3.7V up to DC 12V & 5V from battery, or stand by status (open load).
Switch to right for battery charge for DC 5V input.

LED ON red lighting for power charge
LED ON green lighting for battery full indicate

Idea for Li-battery 3.7V up to DC 12V for security divece application.

Specification:

	Voltage	stand by current (OPEN LOAD.)	Output current	Power charge current
Power Charge (Adaptor)	DC 5V INPUT	/	/	750mA(max)-Open 1700mA(max)-Full
Li-Battery	DC 3.7V INPUT	0mA	450mA(max.) for DC 12V	/